

平面ハンドル



ステンレス製 **A-1750**

FLUSH HANDLES

問題点を改良 次世代平面ハンドル

PAT.PEND.

特徴 Feature

- 扉を閉めるだけのワンタッチロック
- 新機構で止め金かじりの問題点を改良
- ステンレス製で耐食性に優れています。
- 右開き用・左開き用 (本図・写真共右開き用です。)
- One-touch locking only by closing the door.
- New mechanism is incorporated in the stopper plate for improvement.
- Corrosion-resistant stainless steel is used.
- The left-hand or right-hand use. (Drawings and photo show the right-hand use.)

- 仕様**
- 材 質：冷間圧延ステンレス鋼板 (SUS304)
 - 表面仕上：ヘアライン仕上
 - 鍵 番 号：R200
 - 付 属 品：ビスセット・キー2本付属
 - 適用板厚：0~3.2mm
- 用途納期備考**
- 配分電盤・制御盤
 - 標準品・・・即納します
 - ラッチのカバーを外してからラッチをハンドルに取付けて下さい。(A-1750-2~4)
 - 永くご使用頂くために定期的に摺動部に高性能潤滑剤C-985 (1236ページ)を塗布して下さい。
 - **本製品の錠前はキー先端部での操作となります。**

- Specifications**
- Material: Cold rolled stainless steel (SUS304)
 - Finish: Hairline finish
 - Key No.: R200
 - Accessories: Screws and two keys
 - Applicable panel thickness: 0~3.2mm
- Specific use Remarks**
- Power/distribution and control boards
 - Remove the latch cover before fitting the latch on the handle.
 - To prolong the life of the product, apply a regular coating of high-performance lubricant C-985 (P.1236) to the sliding parts.
 - **The lock on this product is operated with the tip of the key.**

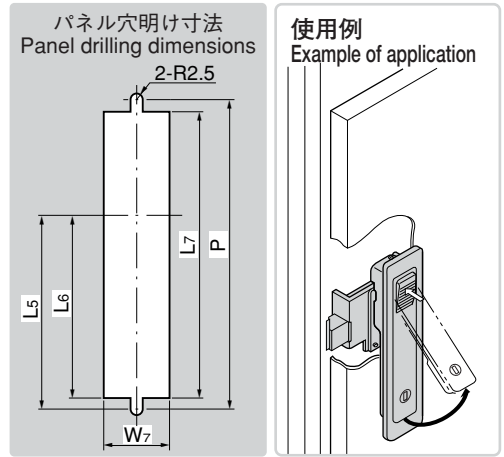
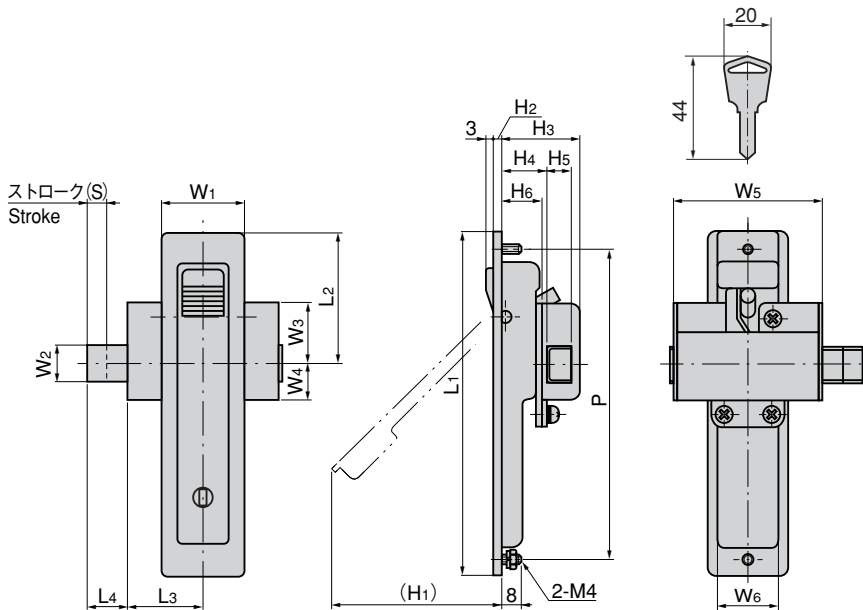


A-1750-1-1R

A-1750-3-1R



キーNo.R200 Key



※品番が変更になりました。A-1750-B-1~4→A-1750-1~4 Product No. has been changed.

商品番号 Product No.	備考 Remarks	L1	L2	L3	L4	L5	L6	L7	W1	W2	W3	W4	W5	W6	W7	(H1)	H2	H3	H4	H5	H6	(S)	P	製品質量(g) Mass	コード Code	単 価 Price	箱入数 Quantity per box
A-1750-1-1L	左開き用 Left-hand use	●	●	●	●	●	●	●	●	●	●	●	●	●	●	●	●	●	●	●	●	●	●	●	03583	¥3,850	30
A-1750-1-1R	右開き用 Right-hand use	●	●	●	●	●	●	●	●	●	●	●	●	●	●	●	●	●	●	●	●	●	●	●	03582	¥3,850	
A-1750-2-1L	左開き用 Left-hand use	●	●	●	●	●	●	●	●	●	●	●	●	●	●	●	●	●	●	●	●	●	●	●	03585	¥3,300	40
A-1750-2-1R	右開き用 Right-hand use	●	●	●	●	●	●	●	●	●	●	●	●	●	●	●	●	●	●	●	●	●	●	●	03584	¥3,300	
A-1750-3-1L	左開き用 Left-hand use	●	●	●	●	●	●	●	●	●	●	●	●	●	●	●	●	●	●	●	●	●	●	●	03587	¥3,050	50
A-1750-3-1R	右開き用 Right-hand use	●	●	●	●	●	●	●	●	●	●	●	●	●	●	●	●	●	●	●	●	●	●	●	03586	¥3,050	
A-1750-4-2L	左開き用 Left-hand use	●	●	●	●	●	●	●	●	●	●	●	●	●	●	●	●	●	●	●	●	●	●	●	01579	¥2,400	80
A-1750-4-2R	右開き用 Right-hand use	●	●	●	●	●	●	●	●	●	●	●	●	●	●	●	●	●	●	●	●	●	●	●	02687	¥2,400	

※箱単位はご相談ください。