

オペレーターキースイッチ

OPERATOR KEYSWITCHES

コントロール
キースイッチ

ソレノイド付
キースイッチ

オペレーター
キースイッチ

止め金付
キースイッチ

マスター付
キースイッチ

モニター
キースイッチ

マイクロ
スイッチ



S-102

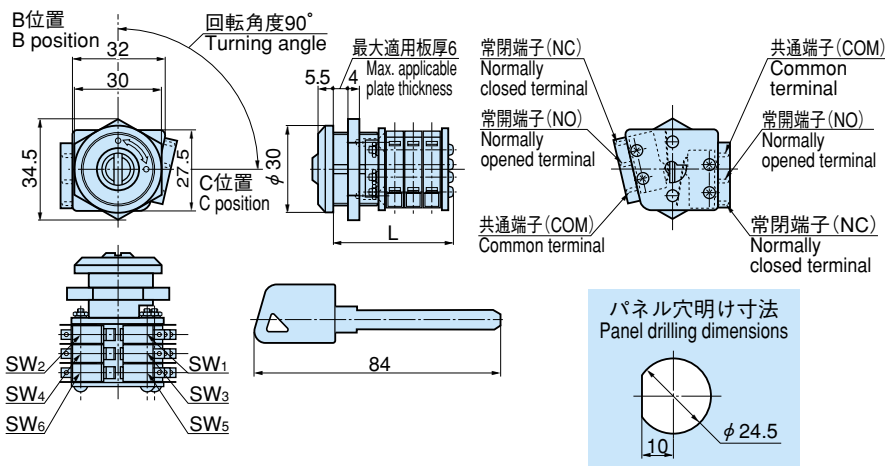


PAT.PEND.

特徴 Feature

- マイクロスイッチの数により2段型3通りから6段型64通りの回路構成ができ、それぞれ独立した鍵によって操作します。
- 特定のオペレーターはそれぞれの専用鍵を使用するため操作管理が完全です。
- コンパクトでスペースをとりません。
- 取付けが容易です。
- Circuit structure of two-step four sets to six-step 64 sets can be prepared corresponding to the number of microswitches and each independent key is used.
- Operators use their own special key so the operation management is perfect.
- Compact and space-saving.
- Easy-to-install.

- 仕様**
- 材質：快削黄銅棒 (C3604BD)
 - 表面仕上：クロムめっき (MBCr)
 - 最大鍵違い数：各鍵イニシャル番号につき1000通り
- 用途**
- 各種コンピュータ・ECR・警報装置・在庫管理機器
- 納期**
- 標準品・・・即納します
- 定格**
- AC125V・5A
 - AC250V・3A (抵抗負荷)
- 特性**
- 初期接触抵抗：50mΩ以下
 - 絶縁抵抗：100MΩ以下 (DC500Vメガ)
 - 耐電圧 (50/60Hz、1分間) 同極端子間AC1000V 充電金属部とアース間AC1500V 各端子と非充電金属部間AC1500V
 - 耐久性：機械的3000万回以上 電氣的20万回以上
 - 使用周囲温度：-25~+85°C (ただし氷結しないこと)
 - 使用周囲湿度：85%RH以下 (+5~+35°Cにて)
 - 耐振動：10~55Hz複振幅1.5mm
 - 耐衝撃：約50G以上
 - 認定規格：U.L・C.S.A



S-102 鍵イニシャル番号及び組合せ表 S-102 key initial No. and combination table

S-102-6 (63通り用) for 63 sets

番号 No.	C位置におけるスイッチの状態 Switch status at C position						番号 No.	C位置におけるスイッチの状態 Switch status at C position					
	SW ₁	SW ₂	SW ₃	SW ₄	SW ₅	SW ₆		SW ₁	SW ₂	SW ₃	SW ₄	SW ₅	SW ₆
001	ON	ON	ON	ON	ON	ON	201	ON	ON	ON	ON	OFF	ON
002	OFF	ON	ON	ON	ON	ON	202	OFF	ON	ON	ON	OFF	ON
003	ON	OFF	ON	ON	ON	ON	203	ON	OFF	ON	ON	OFF	ON
004	OFF	OFF	ON	ON	ON	ON	204	OFF	OFF	ON	ON	OFF	ON
005	ON	ON	OFF	ON	ON	ON	205	ON	ON	OFF	ON	OFF	ON
006	OFF	ON	OFF	ON	ON	ON	206	OFF	ON	OFF	ON	OFF	ON
007	ON	OFF	OFF	ON	ON	ON	207	ON	OFF	OFF	ON	OFF	ON
008	OFF	OFF	OFF	ON	ON	ON	208	OFF	OFF	OFF	ON	OFF	ON
009	ON	ON	ON	OFF	ON	ON	209	ON	ON	ON	ON	OFF	ON
010	OFF	ON	ON	OFF	ON	ON	210	OFF	ON	ON	OFF	OFF	ON
011	ON	OFF	ON	OFF	ON	ON	211	ON	OFF	ON	OFF	OFF	ON
012	OFF	OFF	ON	OFF	ON	ON	212	OFF	OFF	ON	OFF	OFF	ON
013	ON	ON	ON	OFF	ON	ON	213	ON	ON	ON	OFF	OFF	ON
014	OFF	ON	OFF	OFF	ON	ON	214	OFF	ON	OFF	OFF	OFF	ON
015	ON	OFF	OFF	OFF	ON	ON	215	ON	OFF	OFF	OFF	OFF	ON
016	OFF	OFF	OFF	OFF	ON	ON	216	OFF	OFF	OFF	OFF	OFF	ON
101	ON	ON	ON	ON	ON	OFF	301	ON	ON	ON	ON	OFF	OFF
102	OFF	ON	ON	ON	ON	OFF	302	OFF	ON	ON	ON	OFF	OFF
103	ON	OFF	ON	ON	ON	OFF	303	ON	OFF	ON	ON	OFF	OFF
104	OFF	OFF	ON	ON	ON	OFF	304	OFF	OFF	ON	ON	OFF	OFF
105	ON	ON	OFF	ON	ON	OFF	305	ON	ON	OFF	ON	OFF	OFF
106	OFF	ON	OFF	ON	ON	OFF	306	OFF	ON	OFF	ON	OFF	OFF
107	ON	OFF	OFF	ON	ON	OFF	307	ON	OFF	OFF	ON	OFF	OFF
108	OFF	OFF	OFF	ON	ON	OFF	308	OFF	OFF	OFF	ON	OFF	OFF
109	ON	ON	ON	OFF	ON	OFF	309	ON	ON	ON	OFF	OFF	OFF
110	OFF	ON	ON	OFF	ON	OFF	310	OFF	ON	ON	ON	OFF	OFF
111	ON	OFF	ON	OFF	ON	OFF	311	ON	OFF	ON	OFF	OFF	OFF
112	OFF	OFF	ON	OFF	ON	OFF	312	OFF	OFF	ON	OFF	OFF	OFF
113	ON	ON	OFF	OFF	ON	OFF	313	ON	ON	ON	OFF	OFF	OFF
114	OFF	ON	OFF	OFF	ON	OFF	314	OFF	ON	OFF	OFF	OFF	OFF
115	ON	OFF	OFF	OFF	ON	OFF	315	ON	OFF	OFF	OFF	OFF	OFF
116	OFF	OFF	OFF	OFF	ON	OFF							

S-102-4 (15通り用) for 15 sets

番号 No.	C位置におけるスイッチの状態 Switch status at C position			
	SW ₁	SW ₂	SW ₃	SW ₄
001	ON	ON	ON	ON
002	OFF	ON	ON	ON
003	ON	OFF	ON	ON
004	OFF	OFF	ON	ON
005	ON	ON	OFF	ON
006	OFF	ON	OFF	ON
007	ON	OFF	OFF	ON
008	OFF	OFF	OFF	ON
009	ON	ON	ON	OFF
010	OFF	ON	ON	OFF
011	ON	OFF	ON	OFF
012	OFF	OFF	ON	OFF
013	ON	ON	ON	OFF
014	OFF	ON	OFF	OFF
015	ON	OFF	OFF	OFF

S-102-2 (3通り用) for 3 sets

番号 No.	C位置におけるスイッチの状態 Switch status at C position	
	SW ₁	SW ₂
001	ON	ON
002	OFF	ON
003	ON	OFF

- Specifications**
- Material: Free cutting brass (C3604BD)
 - Finish: Chrome plating (MBCr)
 - Max. key differences: 1,000 per each initial No.
- Specific use**
- Various computers, ECRs, alarm devices and stock control equipment
- Switch characteristic**
- Rated: AC 125V 5A. AC 250V 3A (resistance load)
 - Initialization contact resistance: 100MΩ or less (DC 500V mega)
 - Withstand voltage (50/60Hz per min.): AC 1000V between same pole terminals. AC 1500V between charged metal and ground. AC 1500V between each terminal and non-charged metal
 - Durability: Mechanical: 30,000,000 times or more. Electrical: 200,000 times or more
 - Ambient temperature: -25°C to +85°C (non-condensing)
 - Ambient humidity: 85%RH or less (at +5 to +35°C)
 - Vibration resistance: 10 to 55Hz multiple-amplitude 1.5mm
 - Impact resistance: Approx. 50G or more
 - Approved standard: UL and CSA

- 鍵のご注文は番号・本数をお申付け下さい。
- なお番号はご希望に合わせて変更することができます。
- Specify the No. and quantity when making order.
- Marking No. can be changed upon request.

商品番号 Product No.	L	製品質量(g) Mass	コード Code	価格 Price	箱入数 Quantity per box
S-102-2	28	114	40396	¥5,300	25
S-102-4	34.5	119	40397	¥5,700	
S-102-6	41	123	40398	¥6,100	
S-102-KEY		12	40399	¥1,300	

